

COMMON MODE CHOKE COIL

LSA/LHA SERIES



FEATURES

- Excellent frequency characteristics.
- Use of insulating material having superior flame resistance
- Available either vertical mounting type, or horizontal mounting type.

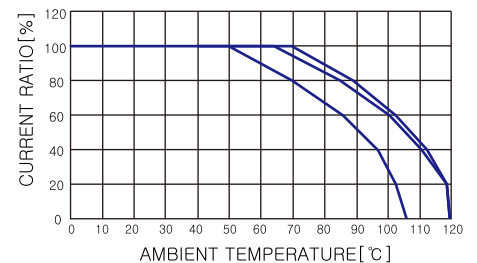
APPLICATIONS

- Personal computers and peripherals.
- Digital equipments.
- Switching power sources, and switching power supply.
- Various types of electronic equipment.

SPECIFICATIONS

| Model | Rated Voltage (AC,DC) | Rated Current (A) | Inductance (mH) | Operating Temperature | |
|---------------|-----------------------|-------------------|-----------------|------------------------------------|--|
| LSA05230P | 250V | 2 | 23 | -25°C to + 105°C (LSA-P Series) | |
| LSA06140P | 250V | 3 | 14 | | |
| LSA07110P | 250V | 3.6 | 11 | | |
| LSA/LHA05992C | 250V | 1.4 | 99.2 | | -25°C to + 120°C (LSA-C, LHA-C Series) Including temperature rise |
| LSA/LHA06433C | 250V | 2 | 43.3 | | |
| LSA/LHA07317C | 250V | 2.7 | 31.7 | | |
| LSA/LHA07110C | 250V | 3.6 | 11 | | |
| LSA/LHA08055C | 250V | 5 | 5.5 | | |
| LSA/LHA08110C | 250V | 4.5 | 11 | | |
| LSA/LHA08235C | 250V | 3 | 23.5 | | |
| LSA/LHA09211C | 250V | 3.7 | 21.1 | | |
| LSA/LHA10024C | 250V | 8 | 2.4 | | |
| LSA/LHA10126C | 250V | 4.7 | 12.6 | | |
| LSA/LHA11015C | 250V | 10 | 1.5 | | |
| LSA/LHA11072C | 250V | 5.9 | 7.2 | | |
| LSA/LHA12059C | 250V | 7.1 | 5.9 | | |
| LSA/LHA13013C | 250V | 12.5 | 1.3 | | |
| LSA/LHA13043C | 250V | 8.2 | 4.3 | | |
| LSA/LHA14027C | 250V | 10.3 | 2.7 | | |
| LSA/LHA15009C | 250V | 15 | 0.9 | | |
| LSA/LHA15019C | 250V | 12.3 | 1.9 | | |
| LSA/LHA16017C | 250V | 13.8 | 1.7 | | |
| LSA/LHA19008C | 250V | 19.5 | 0.8 | | |

Derating Curve



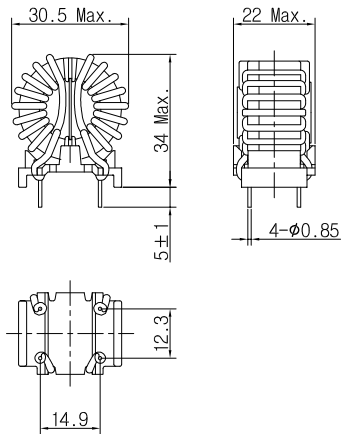
Note : Test Voltage : 2000V AC one minute, line to line.
Insulation Resistance : 300 Mohm min. at 500V DC.

Model Number Construction

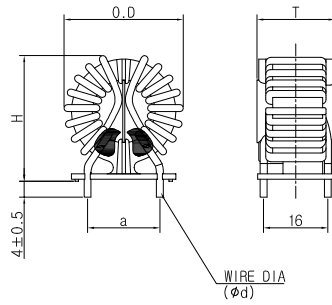
| LSA | 05 | 230 | P |
|--|---|--|---|
| Series Description LSA:Vertical Type LHA:Horizontal Type | Dia. of Copper Wire See shapes and Dimensions next page | Rated Inductance See Specifications Inductance | With PCB in LSA05230P LSA06140P LSA07110P Only |

Shapes and Dimensions

LSA-P-Series

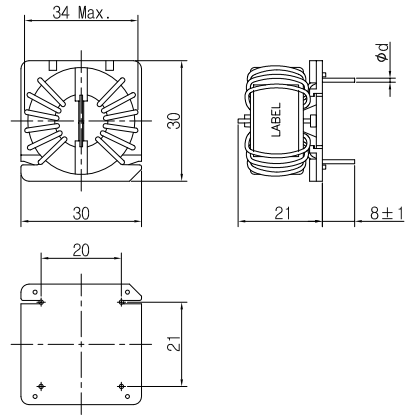


LSA-Series



* Unit : mm
* General tolerance : ±1.5

LHA-Series



| Model | O.D(max) | T(max) | H(max) | ∅ d | a |
|---------------|----------|--------|--------|-----|------|
| LSA/LHA05992C | 32/- | 22 | 32 | 0.5 | 12/- |
| LSA/LHA06433C | 32/- | 22 | 32 | 0.6 | 12/- |
| LSA/LHA07317C | 32/- | 22 | 32 | 0.7 | 12/- |
| LSA/LHA07110C | 32/- | 22 | 32 | 0.7 | 12/- |
| LSA/LHA08055C | 31/- | 22 | 32 | 0.8 | 12/- |
| LSA/LHA08110C | 32/- | 22 | 32 | 0.8 | 12/- |
| LSA/LHA08235C | 32/- | 22 | 32 | 0.8 | 12/- |
| LSA/LHA09211C | 33/- | 24 | 32 | 0.9 | 12/- |
| LSA/LHA10024C | 31/- | 22 | 32 | 1.0 | 12/- |
| LSA/LHA10126C | 33/- | 24 | 32 | 1.0 | 12/- |
| LSA/LHA11015C | 33/- | 24 | 33 | 1.1 | 12/- |
| LSA/LHA11072C | 33/- | 24 | 33 | 1.1 | 12/- |
| LSA/LHA12059C | 33/- | 24 | 33 | 1.2 | 18/- |
| LSA/LHA13013C | 33/- | 24 | 33 | 1.3 | 18/- |
| LSA/LHA13043C | 33/- | 24 | 33 | 1.3 | 18/- |
| LSA/LHA14027C | 33/- | 24 | 33 | 1.4 | 18/- |
| LSA/LHA15009C | 33/- | 24 | 33 | 1.5 | 18/- |
| LSA/LHA15019C | 33/- | 24 | 33 | 1.5 | 18/- |
| LSA/LHA16017C | 33/- | 25 | 33 | 1.6 | 18/- |
| LSA/LHA19008C | 34/- | 25 | 34 | 1.9 | 18/- |

Circuit Diagram

