

# COMMON MODE CHOKE COIL

## LC2 SERIES



### FEATURES

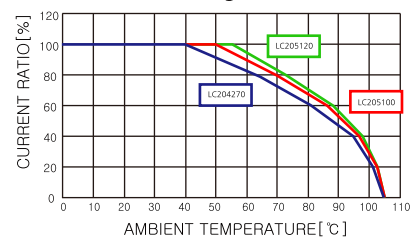
- PCB mounting type for miniature general purpose.
- Require small space of PCB.
- Excellent frequency characteristics.
- Compact, and provides a large inductance.
- Use of insulating material having superior flame resistance.

### APPLICATIONS

- Personal computers and peripherals.
- Digital equipments.
- For use in miniature equipments.
- For TV, VCR, monitors and display units.
- Switching power sources and switching power supply adapters.
- Various types of electronic equipment.

### SPECIFICATIONS

| Model    | Rated Voltage<br>(AC,DC) | Rated Current<br>(A) | Inductance<br>(mH) | Operating<br>Temperature(°C)  |
|----------|--------------------------|----------------------|--------------------|---|
| LC204270 | 250V                     | 1.5                  | 27.0               | -25°C to +120°C including<br>temperature rise.<br><b>Derating Curve</b> |
| LC205100 | 250V                     | 2.0                  | 10.0               |   |
| LC205120 | 250V                     | 2.0                  | 12.0               |   |

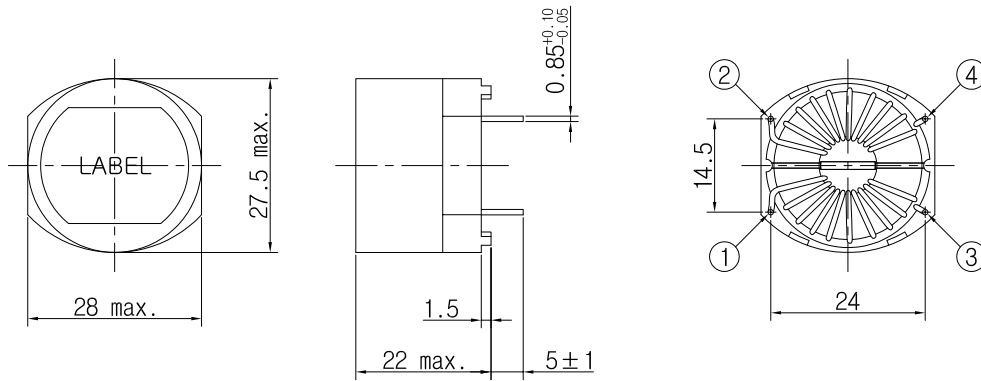


Note Test Voltage : 2000V AC one minute, line to line.  
 Insulation Resistance : 300 Mohm min. at 500V DC.  
 Weight: 29.2g  
 Voltage Drop : 2.0V max.

#### ■Model Number Construction

| LC2                                       | 04  | 270  |
|---|---|--|
| Series Description<br>LC2:Horizontal Type | Dia. of Copper Wire<br>04 : @0.4mm<br>05 : @0.5mm | Rated Inductance<br>:See Specifications Inductance |

## Shapes and Dimensions



\* Unit : mm  
 \* General tolerance :  $\pm 0.5$

| Lmax. | Wmax. | Hmax. | H1            | F            | F1             | d  |
|-------|-------|-------|---------------|--------------|----------------|--|
| 28    | 27.5  | 22    | $5.0 \pm 1.0$ | $24 \pm 0.5$ | $14.5 \pm 0.5$ | $0.85 \begin{matrix} +0.1 \\ -0.05 \end{matrix}$ |

### ●Circuit Diagram

